

Electric Strikes Installation Instruction

GK-300 Series ANSI Sized Electric Strikes

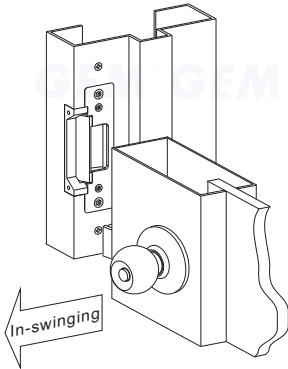
Specifications

		Hollow metal Frames	Wood Frames	Switch Monitored	Installation	Application Locksets
Power Input	12VDC (or 24VDC)	●			Flush Mounting	Spring latch
Voltage Tolerance	±15%	●		●	Flush Mounting	Spring latch
Current Draw: (at temperature 20°C)	0.28A@12VDC 0.14A@24VDC		●		Flush Mounting	Spring latch
Operating Temperature	-10°C~45°C		●	●	Flush Mounting	Spring latch
Humidity	0~95%	●			Flush Mounting	Latch-bolt lock
Lock's surface Temperature (when the power is on)	can not exceed ambient temperature by 20°C	●	●	●	Flush Mounting	Latch-bolt lock
Optional	LP-025, LP-050				Surface Mounting	Night Latch

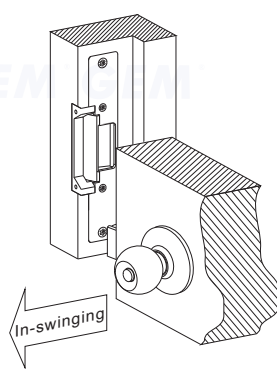
Important Notes

The GK-300 series electric strikes are designed for use with cylindrical locks and mortise locksets (without deadbolt) having up to 12 mm throw latchbolt.

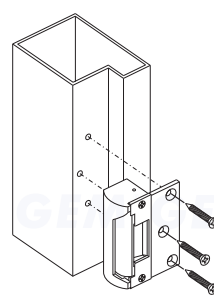
GK-300, GK-300M
Hollow Metal Frames



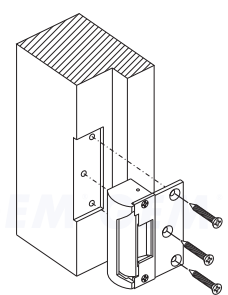
GK-301, GK-301M
Wood Frames



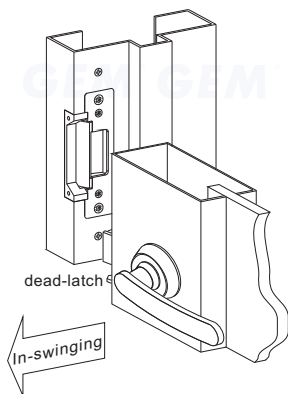
GK-350
Hollow Metal Frames



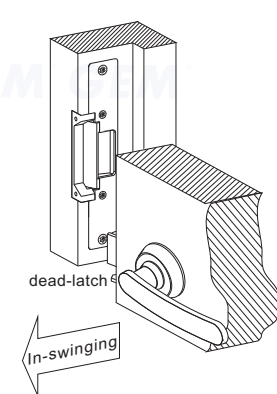
GK-350
Wood Frames



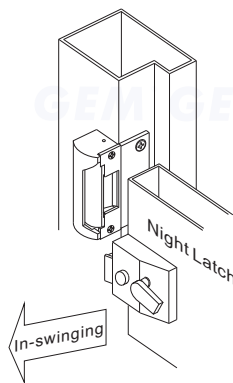
GK-310, GK-310M
Hollow Metal Frames



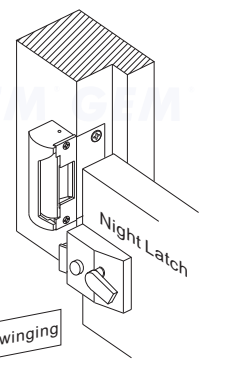
GK-311, GK-311M
Wood Frames



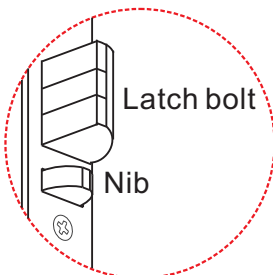
GK-350
Hollow Metal Frames



GK-350
Wood Frames



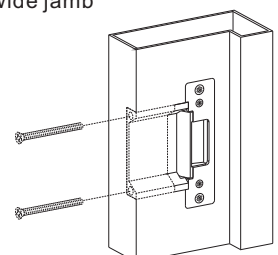
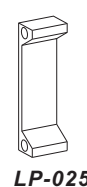
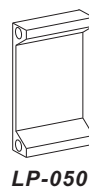
What's Latch bolt lock ?



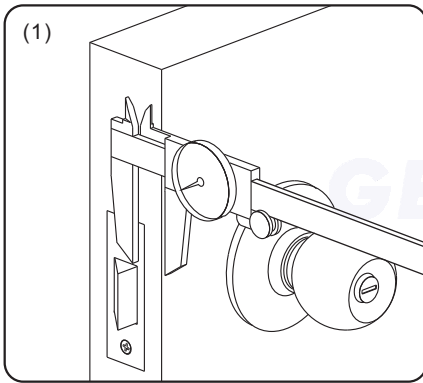
A latch bolt lock is a lock comprising a latch bolt and a nib. When the door is closed, the nib makes the latch a dead bolt. The latch bolt locks into the strike keeper of the door frame to make sure that it is closed.

Optional Bracket

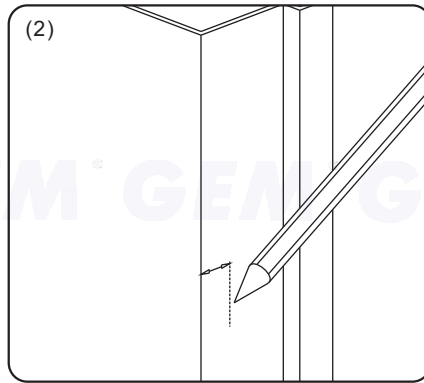
Lip extension brackets for wide jamb



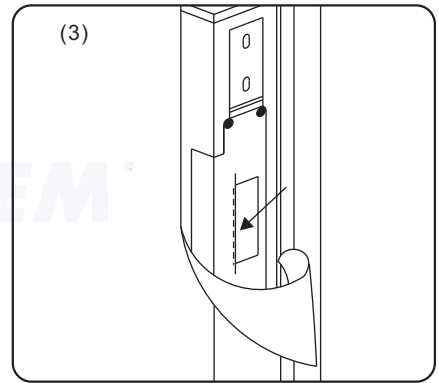
Installation Instructions



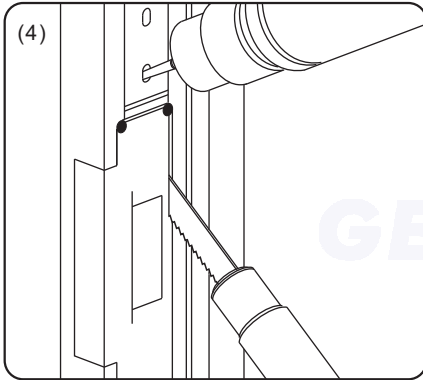
(1) Measure latch position



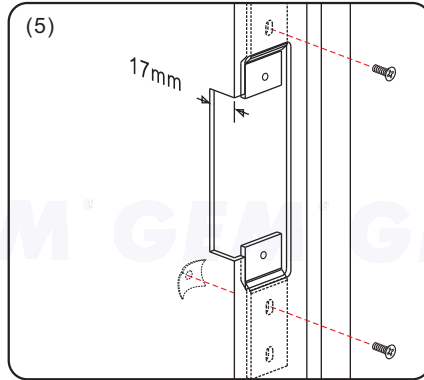
(2) Mark latch position line



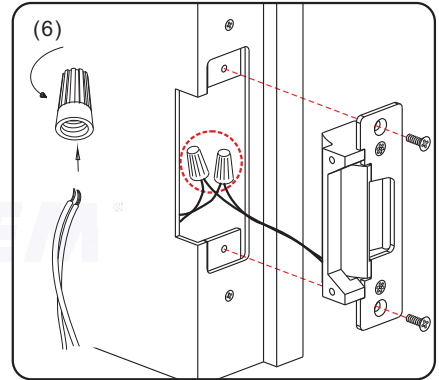
(3) Stick template align to marked latch line



(4) Hole cut using template



(5) Fixing plug



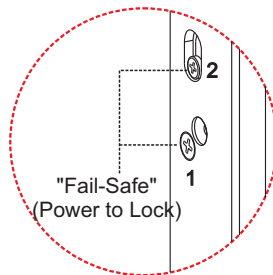
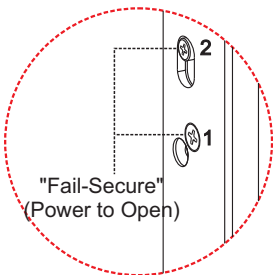
(6) Connect wires and insulate before install strike.

Caution:

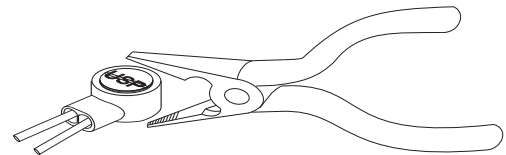
Strike is not re-locking or is not unlocking, please check for proper alignment between strike keeper and latch bolt, realign faceplate if necessary.

How to Change Version ?

Field reverse by changing position of screws

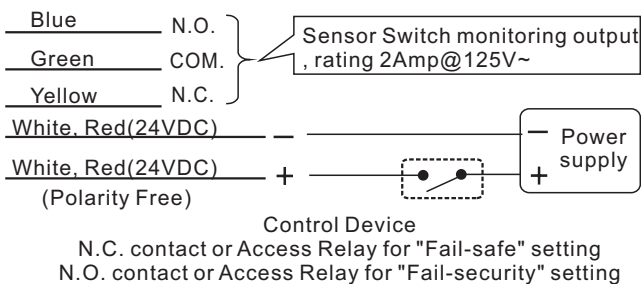


Butt Splice (IDC) Connector



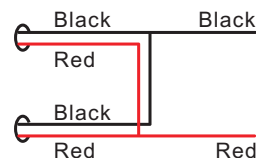
Using crimper or pliers and pressing the header of connector down to even position

Single voltage Connecting Diagram



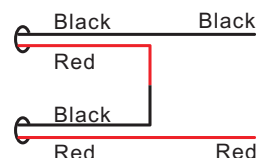
Dual voltage Connecting Diagram

For the 12 VDC operation, the electric strikes have to connect in **Parallel**.



12V DC
 (Power input is polarity free)
 0.28 A@12 VDC

For the 24 VDC operation, the electric strikes have to connect in **series**.



24V DC
 (Power input is polarity free)
 0.14 A@24 VDC