

Assembly Instructions for WB8224TB Flat Panel Tilted Wall Mount

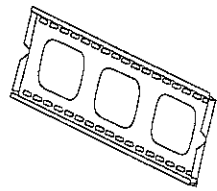
Thank you for choosing our flat panel wall mount. This product is designed to mount flat panel 32" -60" televisions to a vertical wall, weighing up to 80kgs. It allows you to tilt your television down to 15° without the use of tools.

Safety Warning: Installation must be done by a specialist. Never use defective parts. Improper installation may cause damage or serious injury. Do not use this product for any purpose that is not explicitly specified in this manual. We can't be liable for damage or injury caused by incorrect mounting, incorrect assembly, or incorrect use.

Note: The supplied wall mounting hardware is not for steel stud walls or old cinder block walls. If you are uncertain about the nature of your wall, consult an installation contractor. We make every effort to ensure all necessary television mounting hardware is included. If the hardware you need is not included please consult your local hardware store.

Required Tools: 3/16 drill bit, 1/2" Masonry Bit for brick concrete or concrete block installations, wrench or socket set, Phillips screw driver.

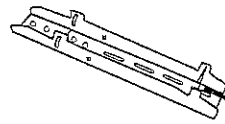
Supplied Parts



(1) Wall Plate-A



(2) Handwheel-B



(2) Monitor Bracket-C



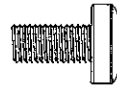
(4) Gusset-D



(4) M4x12 Bolt-E



(4) M5x12 Bolt-F



(4) M6x12 Bolt-G



(4) M8x16 Bolt-H



(4) M4x30 Bolt-I



(4) M5x30 Bolt-J



(4) M6x35 Bolt-K



(4) M8x40 Bolt-L



(4) M4 Lock Washer-M



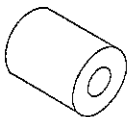
(4) M5 Lock Washer-N



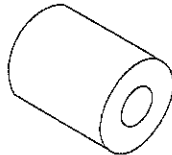
(4) M6 Lock Washer-O



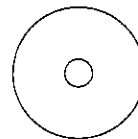
(4) M8 Lock Washer-P



(4) M4/M5 Space-Q



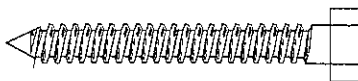
(4) M6/M8 Space-R



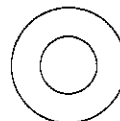
(8) M4/M5 Washer-S



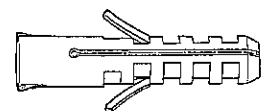
(4) M6/M8 Washer-T



(6) Lag Bolt-U



(6) Lag Bolt Washer-V



(6) Concrete Anchor-W



(4) Carriage Bolt-X



(2) Gusset Nut-Y

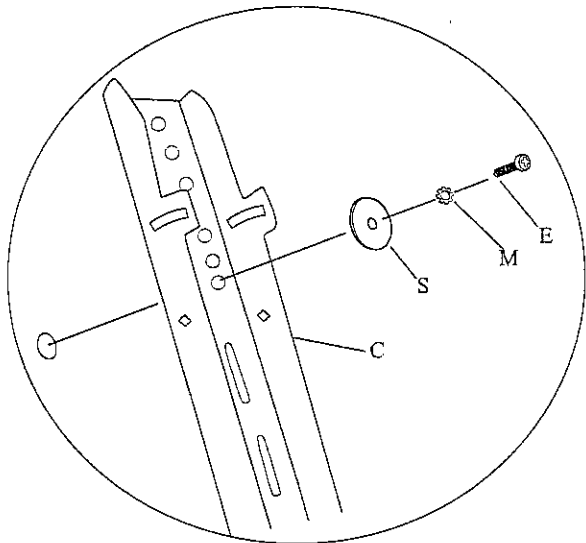


(2) Safty Bolt-Z

Step 1: Mounting Monitor Brackets to a television with a flat back

First, determine the diameter of the Bolt (E,F,G,H) your TV requires by hand threading them into the threaded insert on the back of the TV. If you encounter any resistance stop immediately! Once you have determined the correct diameter, see the appropriate Diagram below. Thread the Bolt through the appropriate Lock Washer (M,N,O,P), a Washer (S,T), the Monitor Bracket (C), and finally into the TV. Make sure the Monitor Brackets are vertically centered and level with each other.

M4 Diameter Bolt



M6 Diameter Bolt

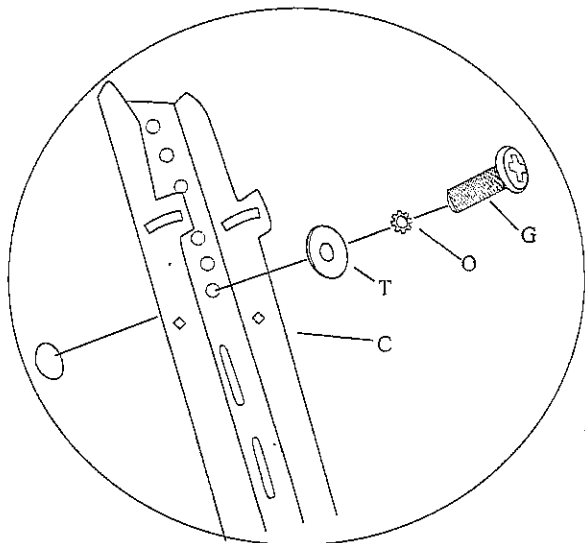
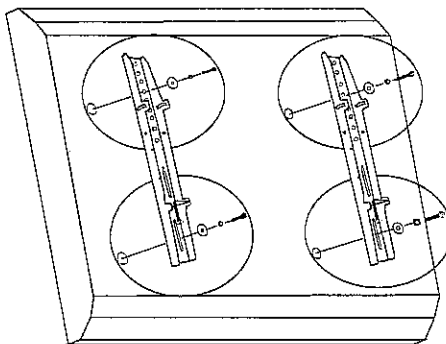
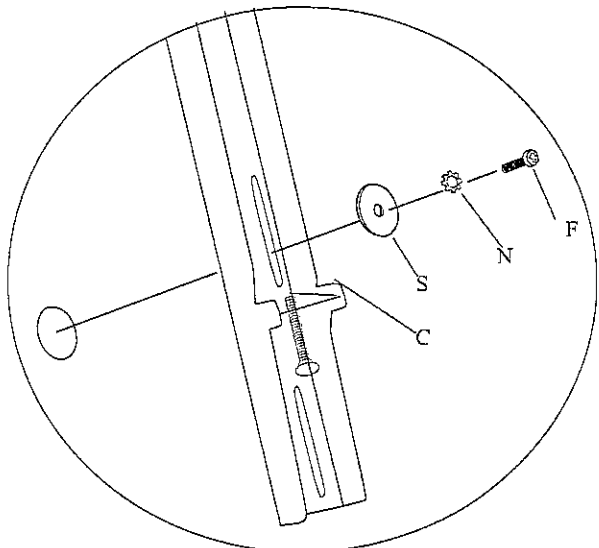


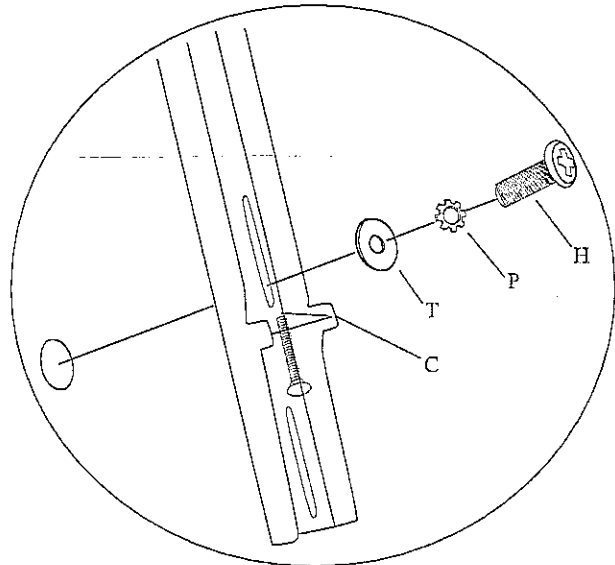
Diagram 2



M5 Diameter Bolt



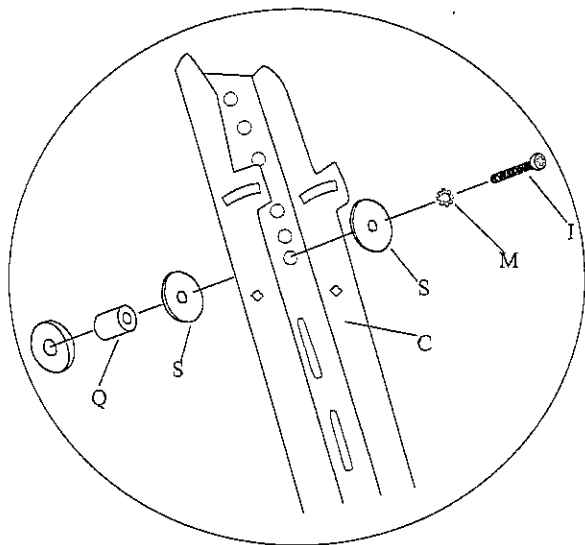
M8 Diameter Bolt



Step 2: Mounting the Monitor Brackets to a television with a curved back, recessed threaded inserts or any other obstruction.

First, determine the diameter of the Bolt (I,J,K,L) your TV requires by hand threading them into the threaded insert on the back of the TV. If you encounter any resistance, stop immediately! Once you have determined the correct diameter, see the appropriate Diagram below. Thread the Bolt through the appropriate Lock Washer (M,N,O,P), a Washer (S,T), the Monitor Bracket (C), a spacer (Q,R) and finally into the TV. For the M4 or M5 diameter bolt, you will need another M4/M5 Washer between the Monitor Bracket and the Spacer. Make sure the Monitor Brackets are vertically centered on the TV and level with each other.

M4 Diameter Bolt



M6 Diameter Bolt

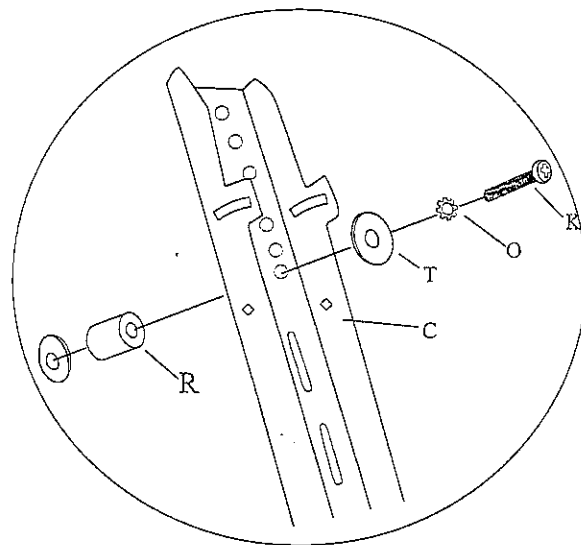
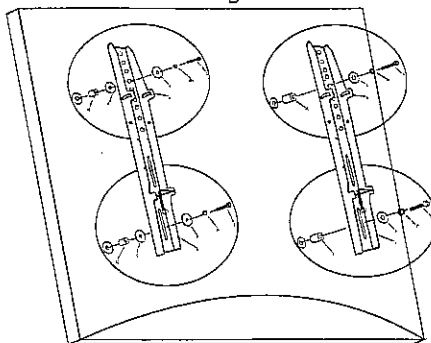
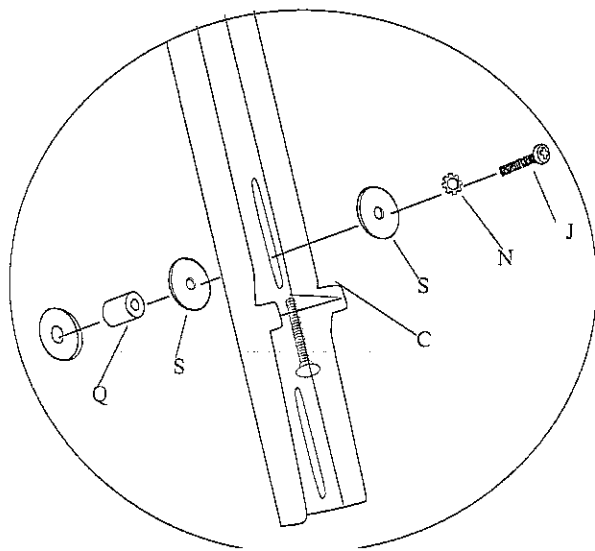


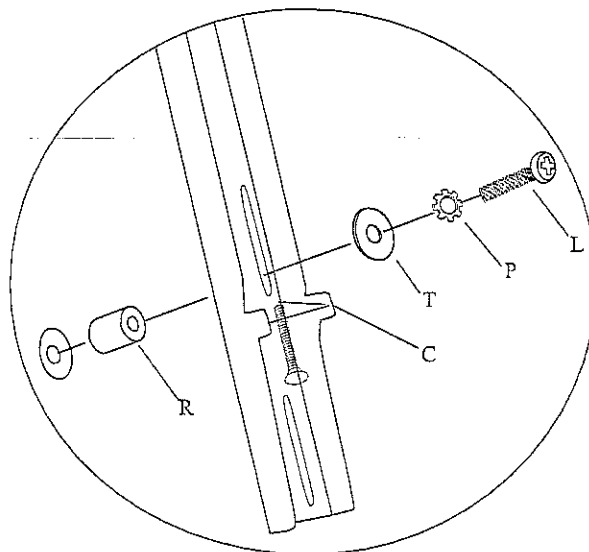
Diagram 2



M5 Diameter Bolt



M8 Diameter Bolt



Step 3: Mounting the Wall Plate: Wood Stud, Brick, Solid Concrete, and Concrete Block mounting options are provided.

Warning: DO NOT OVERTIGHTEN THE LAG BOLTS! Tighten Lag Bolts(U) only until the Lag Bolt Washer(V) is pulled firmly against the Wall Plate(A)

Wood Stud mounting:

The Wall Plate(A) must be mounted to two wood studs at least 16" apart. Use a high quality stud sensor to locate two adjacent studs. It is a good idea to verify where the studs are located with an awl or thin nail shown in Diagram 3a. Pre-drill a 2.5" deep hole at the desired height in each stud using a 3/16" drill bit. Make sure these holes are in the center area of the studs and level with each other. Use the Wall Plate as a template to mark the location of the second hole in each stud. Drill 2.5" deep holes using the 3/16" drill bit in the marked locations. Attach the Wall Plate to the wall using the four 1/4x 2.5" Lag Bolts(U) and four Lag Bolt Washers(V). Make sure the Wall Plate is oriented so the flat surface in the center of the plate is against the wall and that a set of lag bolts is on each side of the two large holes in the center as shown in Diagram 3b.

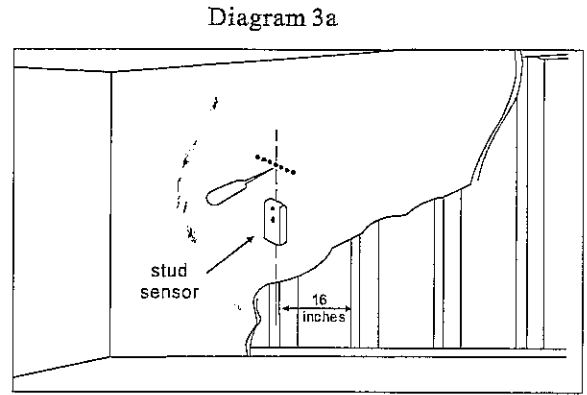


Diagram 3a

Brick, Solid Concrete and Concrete Block mounting:

Use the Wall Plate(A) as a template to mark 6 hole locations on the wall. The outer holes must fall to left and right of the two large holes in the middle of the plate. Three in the top row of slots and three more in the bottom row. Make sure these holes are level and there is at least 6" between any two holes. Pre-Drill these holes with a 1/2" masonry bit to at least 2.5" in depth. Insert a Concrete Anchor(W) into each of these holes. Make sure the anchor is seated completely flush with the concrete surface even if there is a layer of drywall or other material in front. Attach the Wall Plate to the wall using 6 Lag Bolts(U) and 6 Lag Bolt Washers(V).

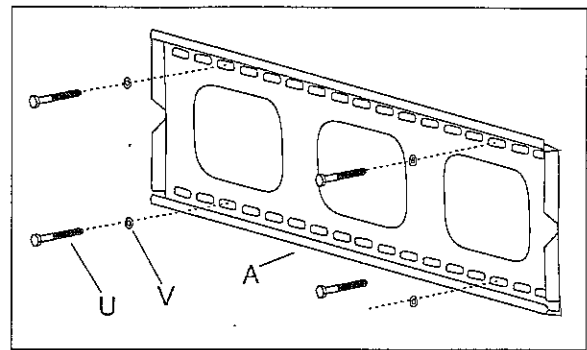


Diagram 3b

Step 4: Choose mounting position:

You can mount your television from flat to 15 degree downward tilt. First, you must add two gussets(D) to each Monitor Bracket with two Carriage Bolts(X), one handwheel(B) and one Gusset Nut(Y) as shown in Diagram 4. To adjust the television from flat to 15 degree, slightly loosen the two Handwheel(B) Once those two bolts are free, television can be adjusted. After adjusting, re-tighten the two Handwheel(B) firmly.

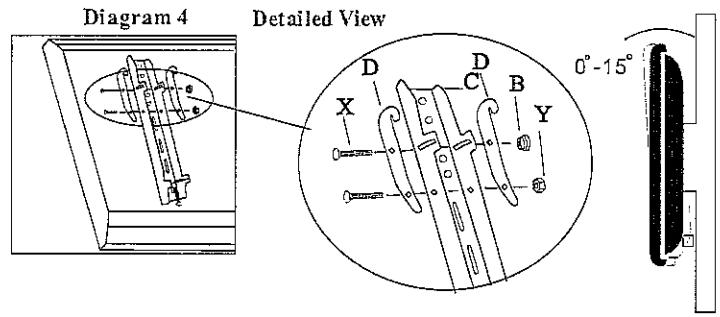


Diagram 4

Detailed View

Step 5: Hang the TV onto the Wall Plate:

First hook the Monitor Brackets(C) over the top of the Wall Plate(A) then let the bottom of the Monitor Brackets rotate in under the bottom of the Wall Plate. This process is shown in Diagram 5. Once the TV is in place, insert the Safty Bolts(Z) into the threaded slots in the bottom of the Monitor Brackets Use the Screwdriver to tighten the bolts, so Monitor Brackets will sit behind the bottom tab on the Wall Plate as shown in Diagram 5b.

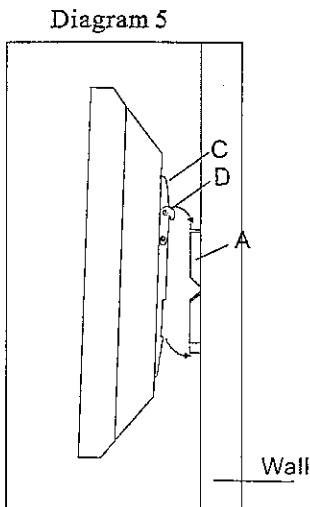


Diagram 5

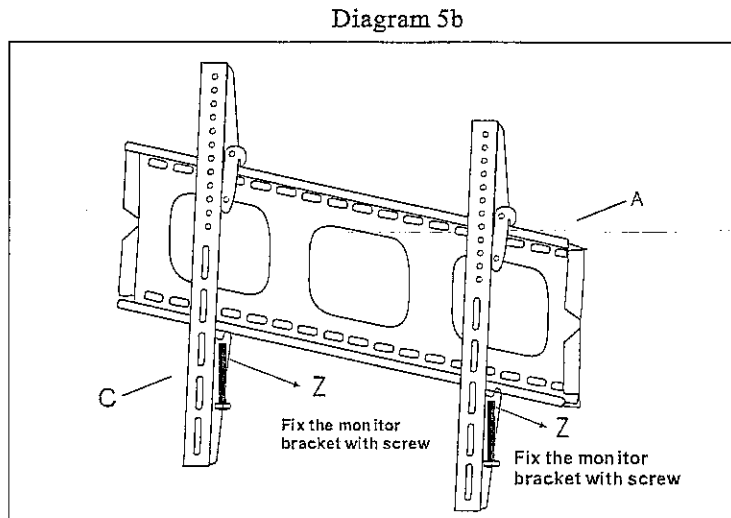


Diagram 5b

Note: After installation, wall brackets require regular maintenance and inspections periodically to prevent the possibility of rot, deformation, looseness, etc.