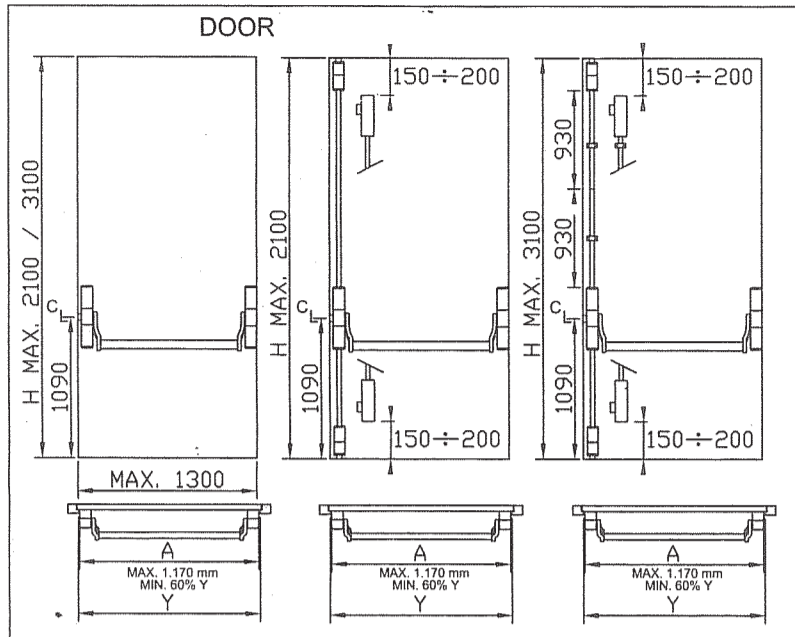
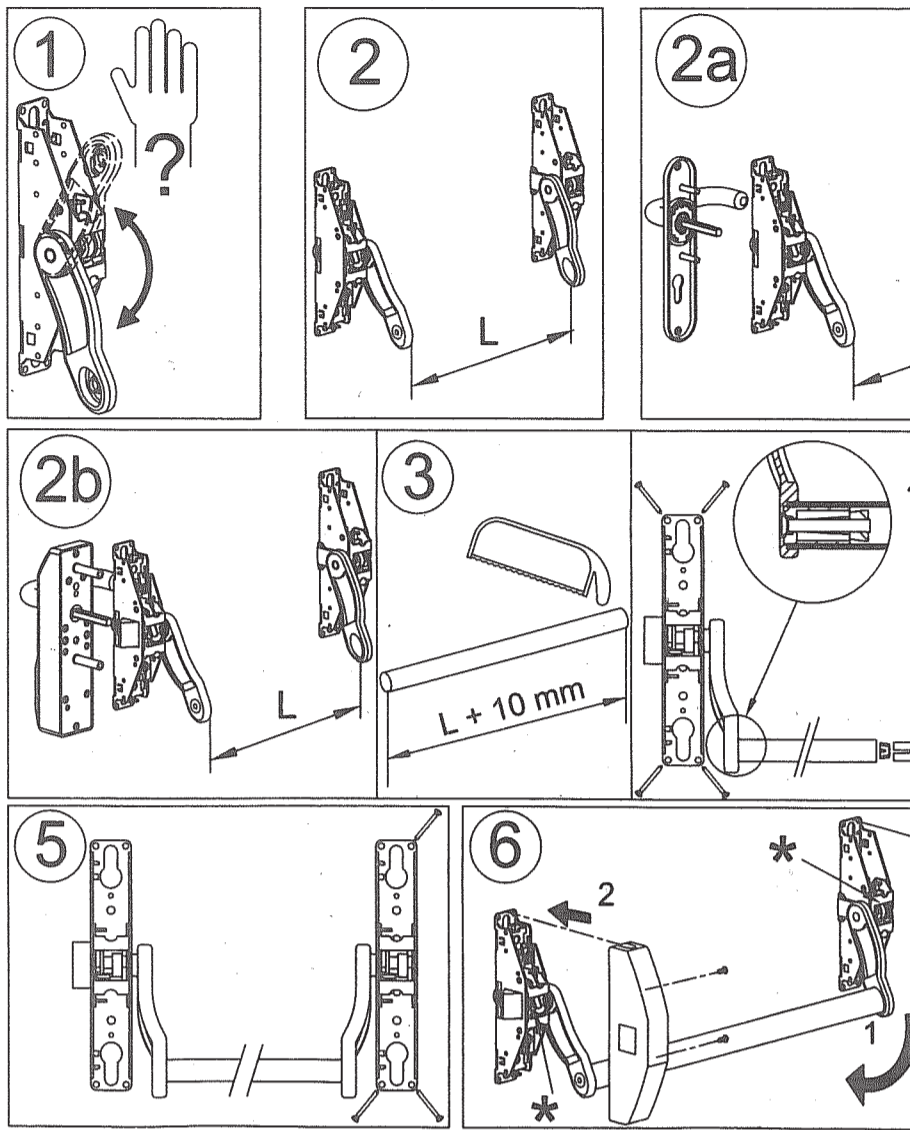
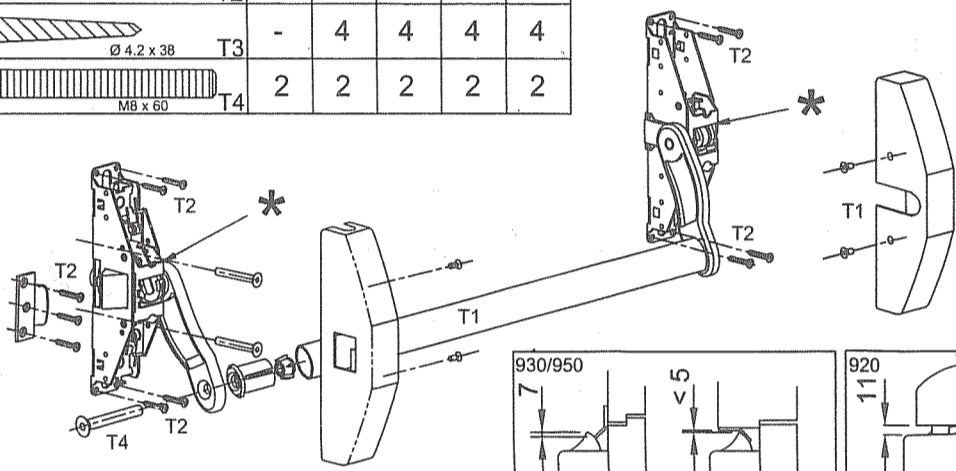


# SERIE UNIVERSAL

ART NO. 1700B 1700C  
1700D

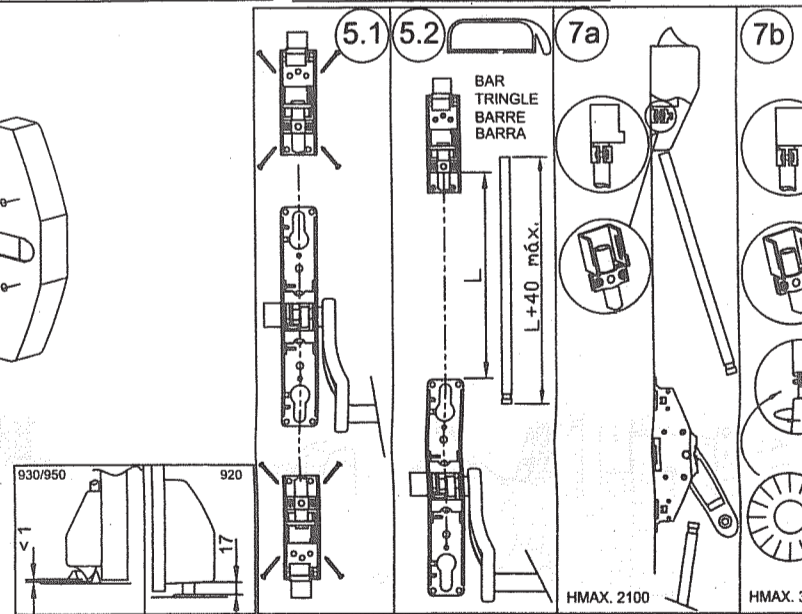
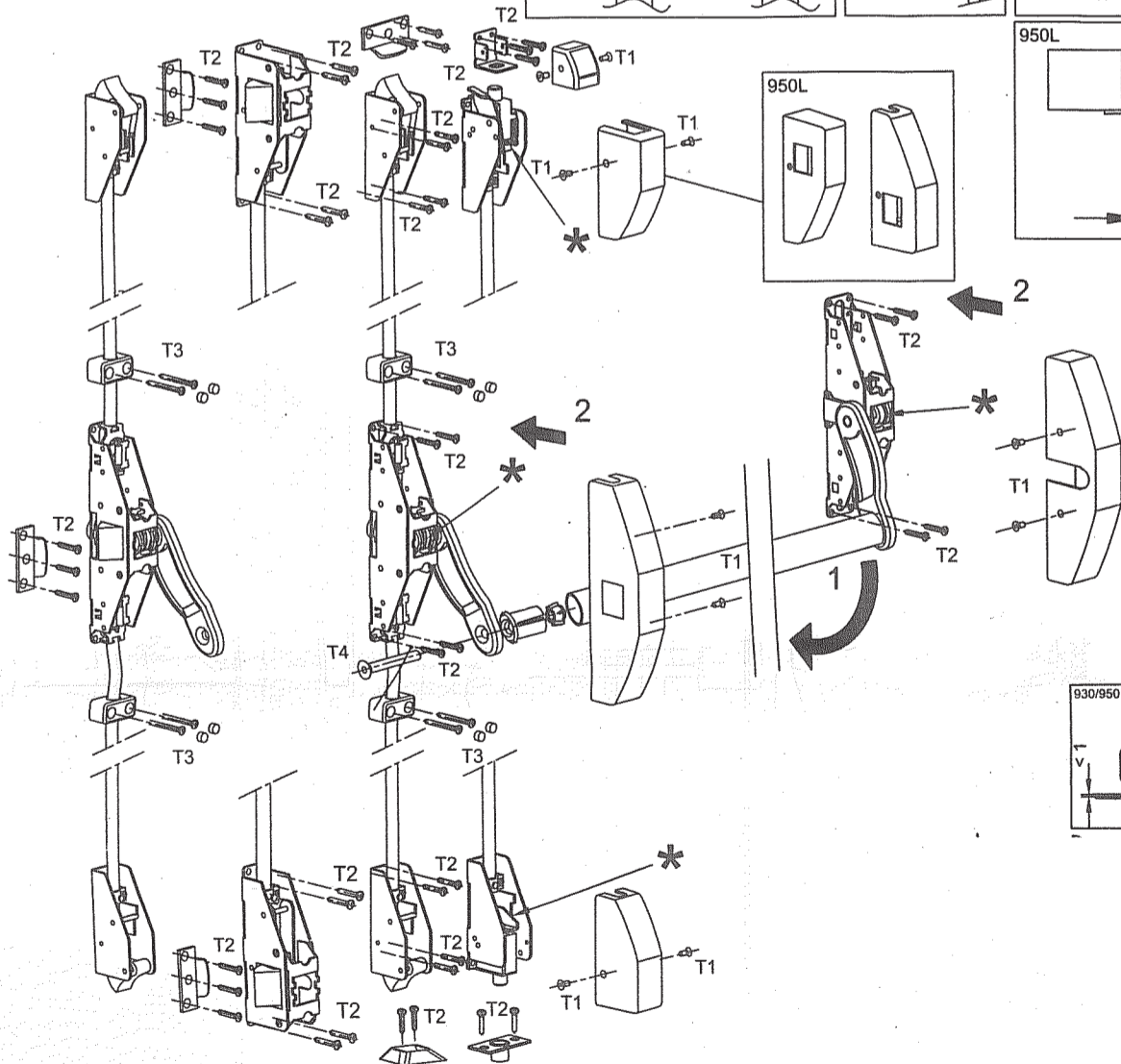
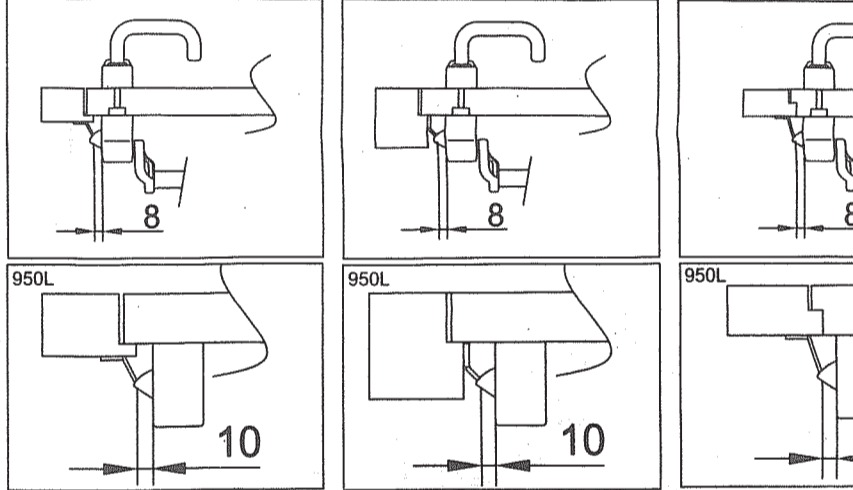
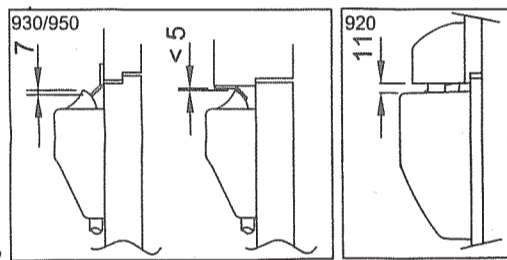


	910	920	930	950	950L
M4 x 9.5 T1	4	10	8	8	8
Ø 4.2 x 16 T2	11	23	21	24	25
Ø 4.2 x 38 T3	-	4	4	4	4
M8 x 60 T4	2	2	2	2	2



1700C

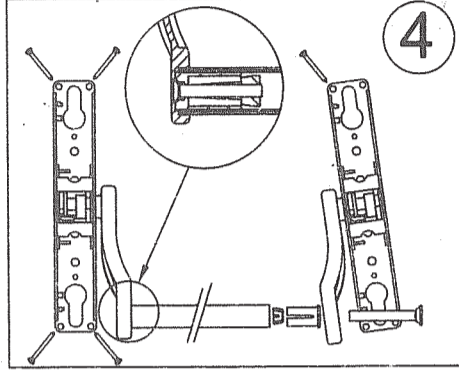
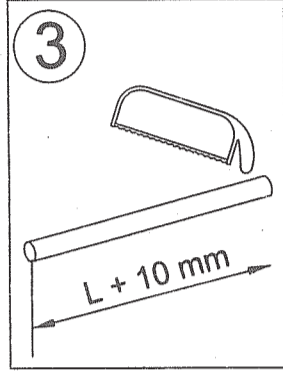
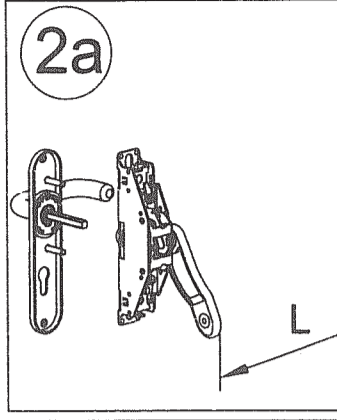
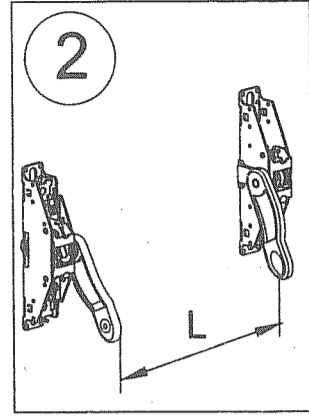
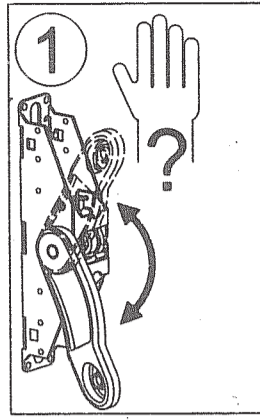
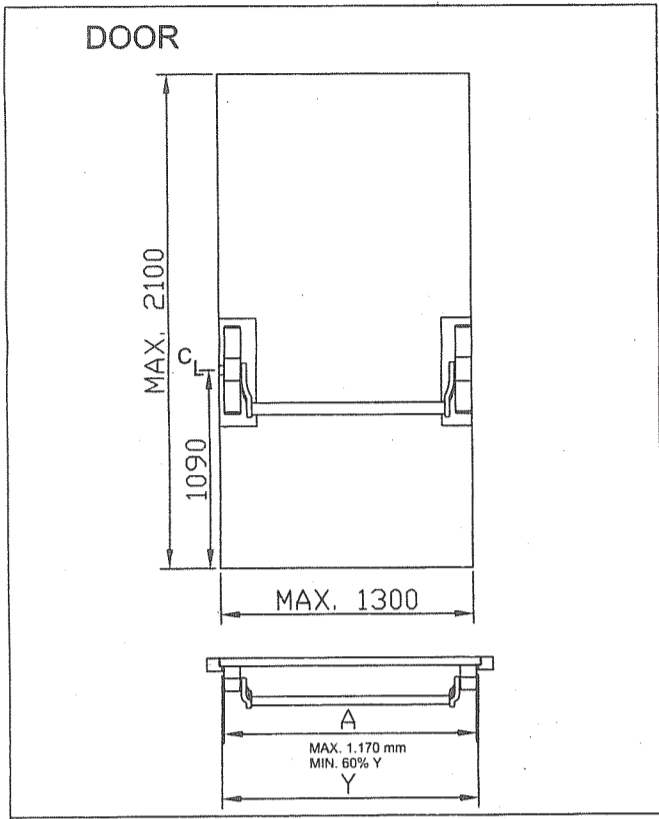
1700D



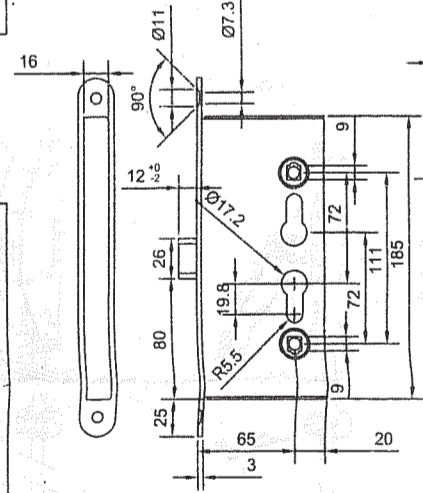
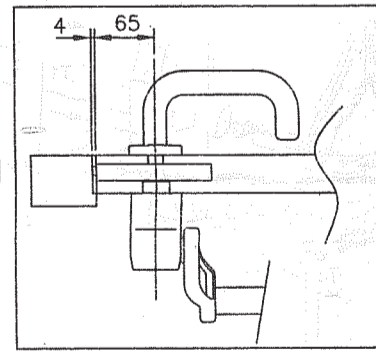
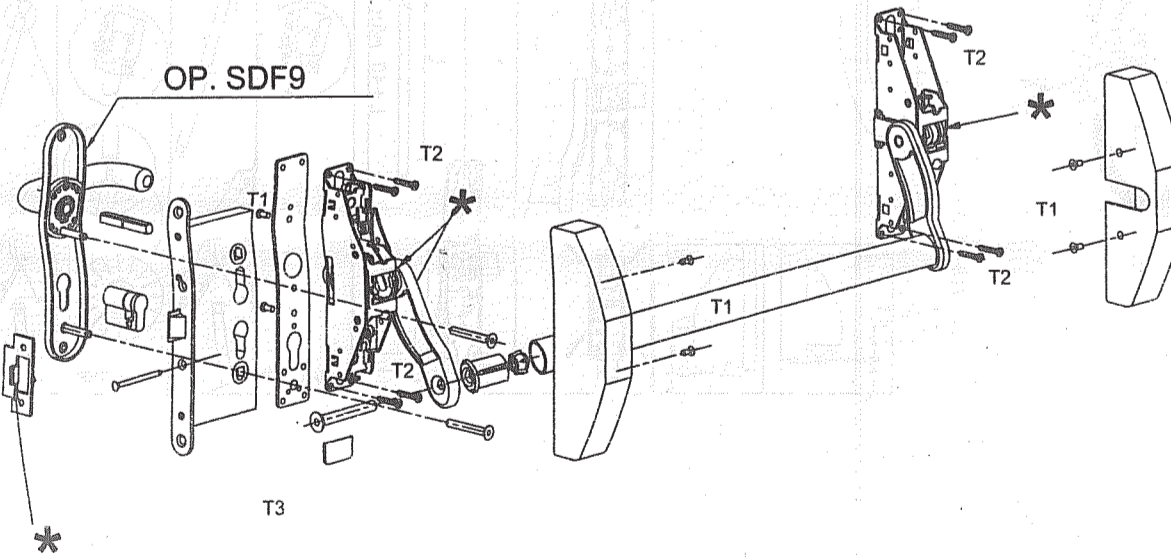
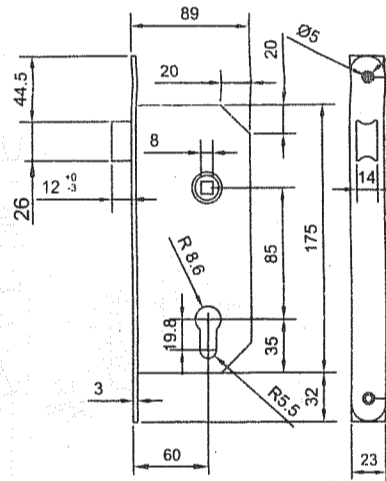
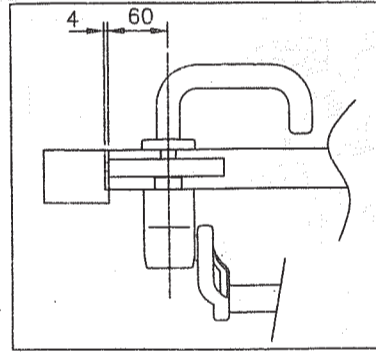
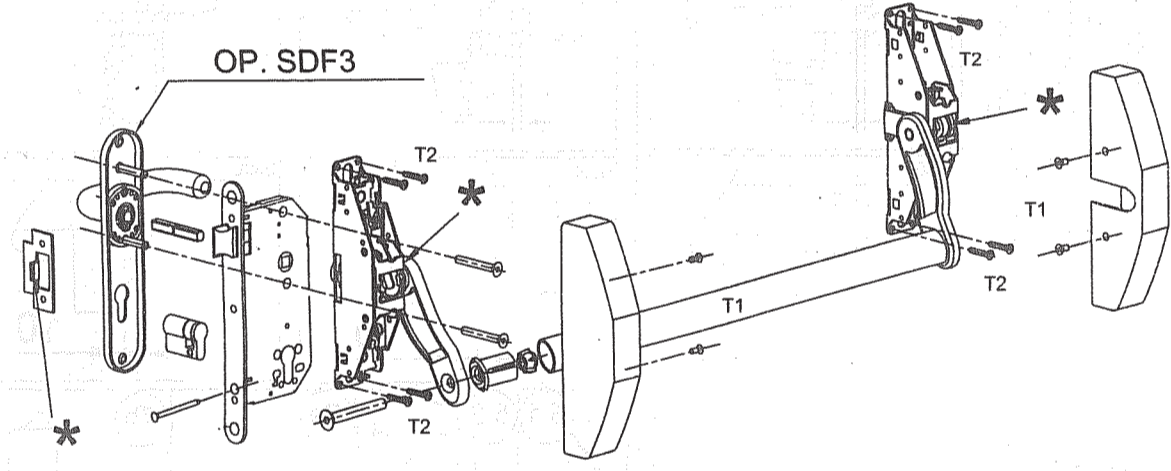
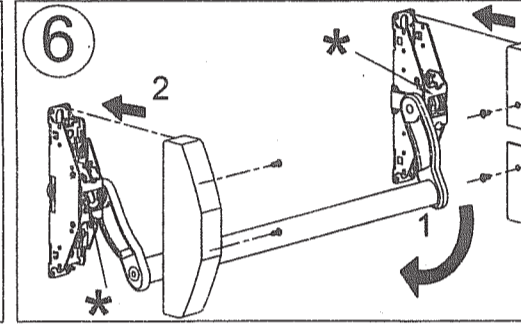
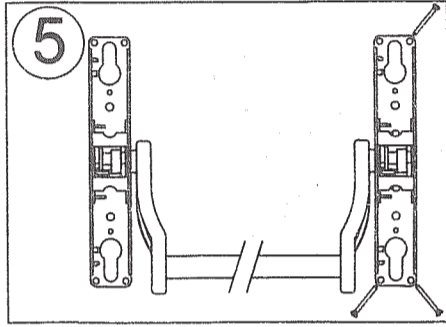
\* IMPORTANT: in order to guaranty a correct use, it is compulsory to lubricate the driving parts (upper latch, lower latch, central latch, etc.) while assembling, and afterwards every 20.000 cycles and at least once per year.

# SERIE UNIVERSAL

ART NO.1700A



970	2035T 4039T	C
T1	6	
M4 X 9.5		
T2	8	
Ø 4.2 x 16		
T3	2	
M8 x 60		



\* IMPORTANT: in order to guaranty a correct use, it is compulsory to lubricate the driving parts (upper latch, lower latch, central latch, etc.) while assembling, and afterwards every 20.000 cycles and at least once per year.