

ABOVE GROUND POOL SAFETY FENCE

Installation Guide

WARNING

This fence is not a substitute for adult supervision! Do not leave children in or around your pool without constant adult supervision!

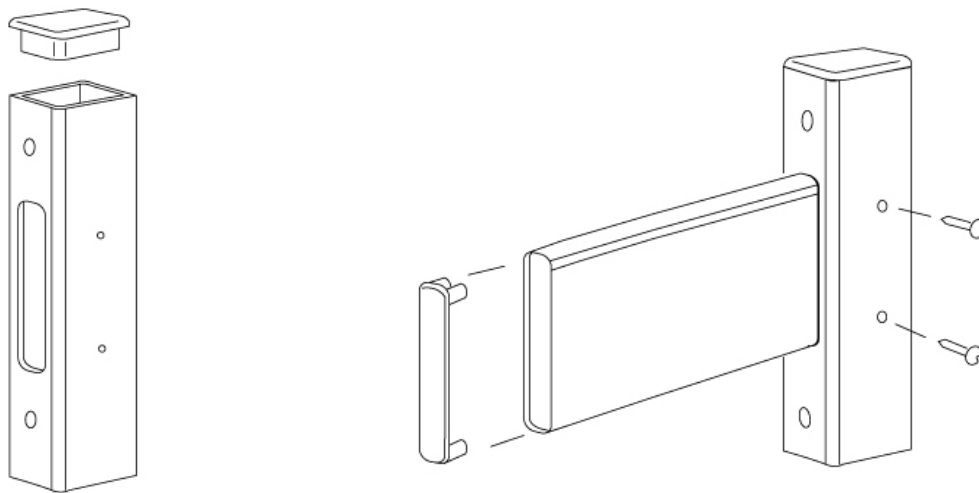
- A fence is just one layer of defense for your pool. We highly recommend that in addition to the adult supervision you have multiple layers of pool defense.
- The pool entrance should remain locked using a self-closing and self-latching gate. That gate should be checked and maintained regularly.
- Building codes are different for all areas; please check with your local code enforcement department before purchase or installation for requirements in your area.
- This above ground pool fence is not designed as a handrail for decking and does not meet handrail codes.

Pre-Installation

- Read the directions completely before beginning.
- Inspect the pool for impediments to installation. Check to make sure that braces are clear of obstacles and intact.
- Find the skimmer and make sure that it will not interfere with the planned location of the pool fence.
- Gather the tools needed for installation: cordless drill with Phillips head screwdriver bit, saw, pencil and measuring tape.

Step 1

- Assemble the mounting brackets and insert support into the base, making sure the support is even with the back of the base.
- Secure the support into the base with two #8 screws.

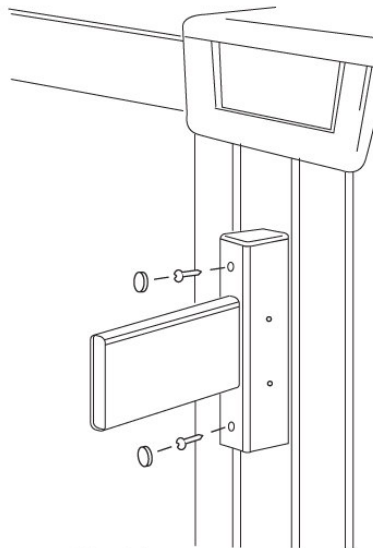


Step 2

- Determine the position where you will install the mounting bracket to each upright by temporarily sliding the post onto the bracket and measuring the space between the post's bottom rail hole and the pool's top rail. You should not have more than a 4" gap.

Step 3

- Use two #12 x 1" self-tapping screws to affix the bracket to the upright.
- Ensure accuracy with your remaining brackets by measuring the length between the bracket to the bottom of the top rail on your first upright and applying this measurement to the rest of the brackets. This way, your other brackets will be exactly even.

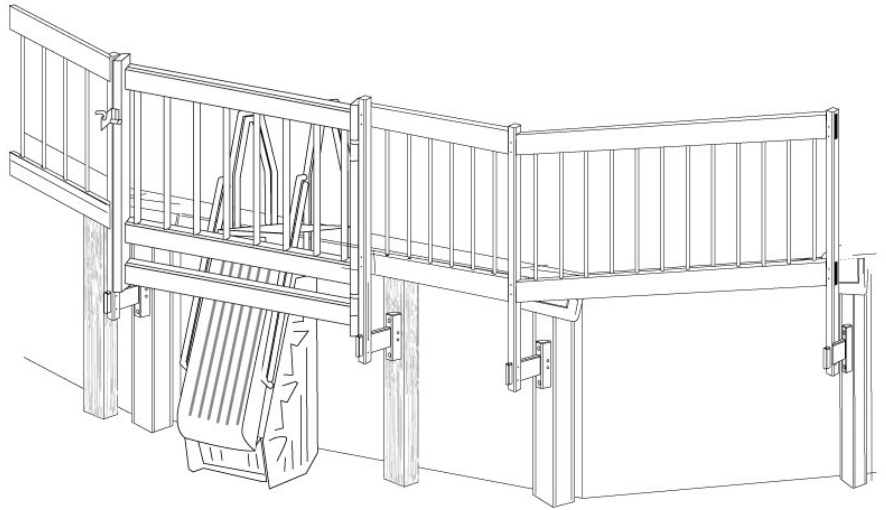


Optional Step—Artificial Upright

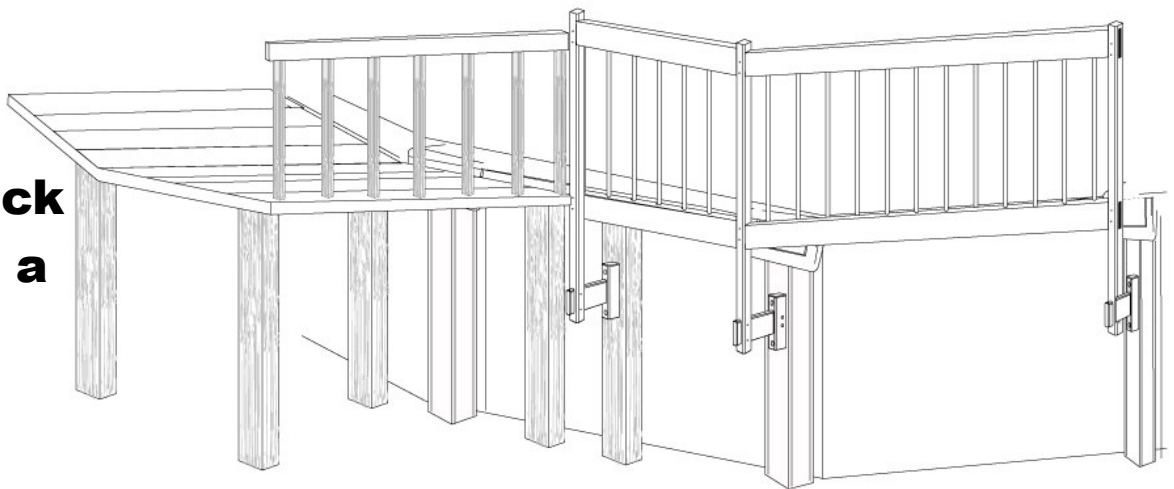
- If you have a long span (over 60"), a deck that will interfere with a span or are putting in a gate into a span 38" or larger you may need to use an "Artificial Upright". (Note: For safety purposes, ensure that your pool entrance has a self-closing and self-latching gate.)
- Materials: one 4 x 4 wooden post, one 2" sheet metal screw
- Dig a hole about 12" deep by 10" in diameter (size may vary depending on soil conditions) where you want your artificial upright to be placed.
- Cut the 4 x 4 post to fit the distance between the bottom of the hole and the top of the pool, place it into the ground
 - Either set in place with concrete or use 2" screws down through the top rail into the 4 x 4 post to attach it to the pool structure.
- Use instructions in step 3 to mount support brackets to 4 x 4 post.

See Next Page For Images

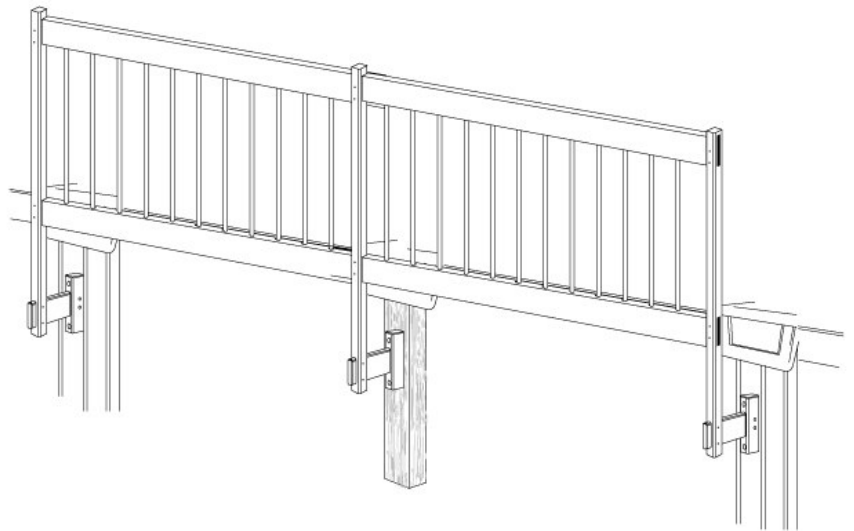
Gate using Artificial Uprights



Pool With Deck Interrupting a Span

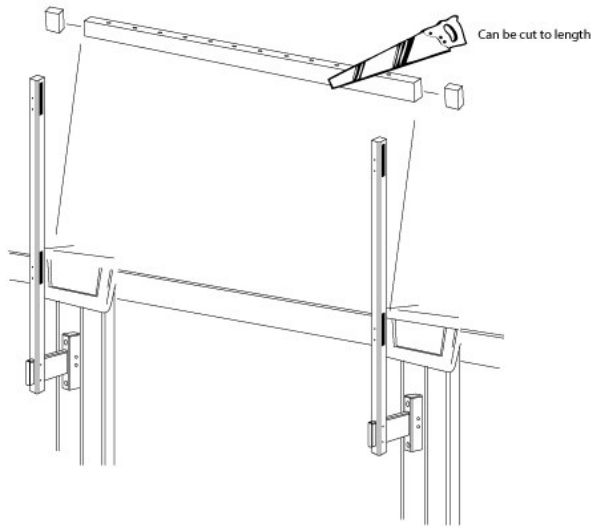
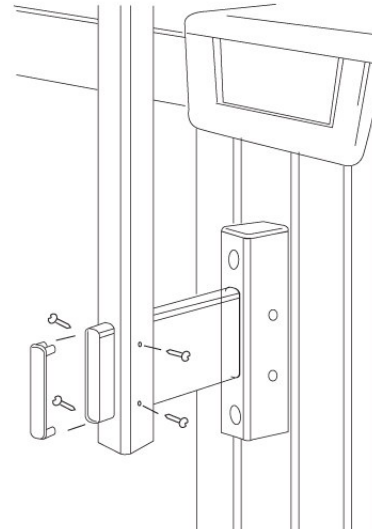


Long Span Divided by Artificial Upright



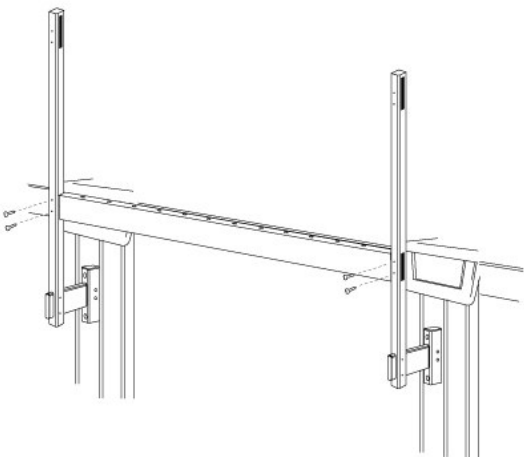
Step 4

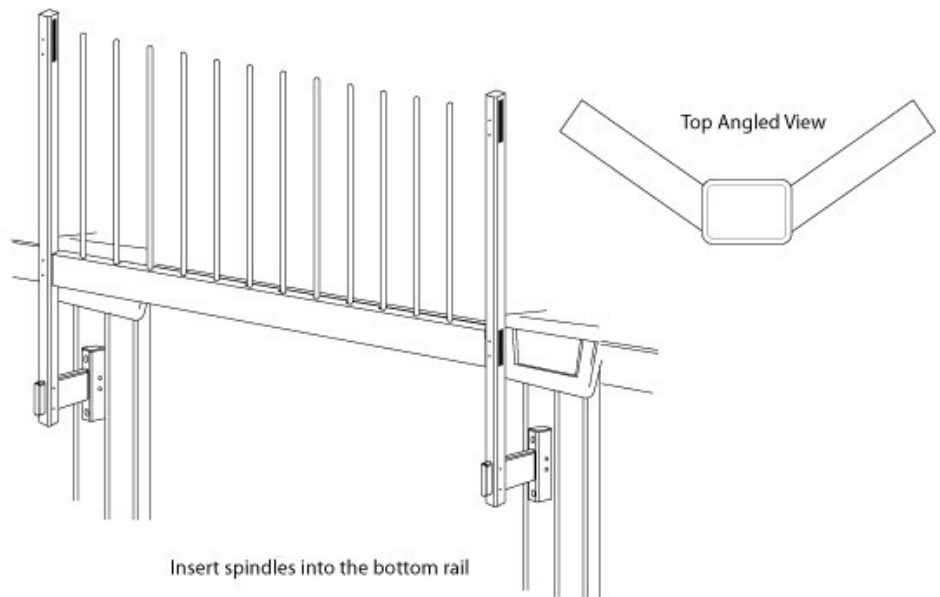
- Find your two end-posts (they will have holes on only one side) and install those first by sliding them onto the mounting brackets and then using four #8 screws to fasten them to the bracket.
- Install the other fence posts in the same way.



Step 5

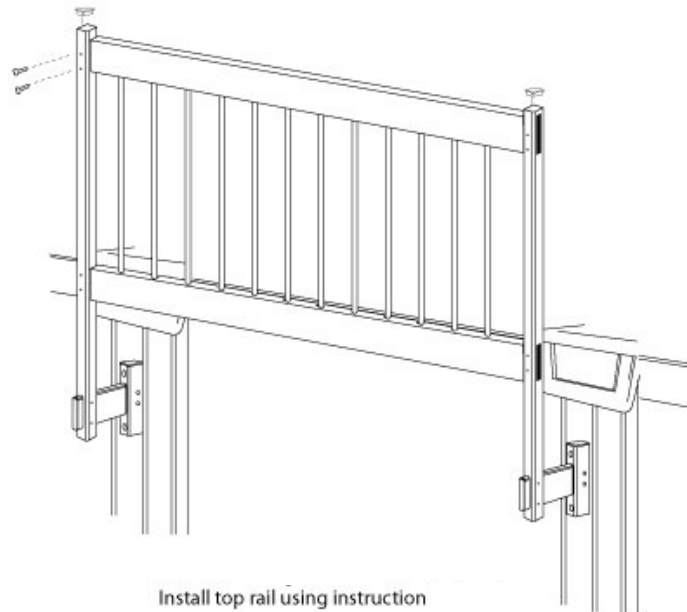
- Measure the length between two of your posts and add 1" to prepare to install the bottom horizontal rail.
- Cut your bottom rail to a length so that each end extends $\frac{1}{2}$ " into the post.
- Use two #8 screws to attach bottom rail to post.
- Continue to install the rest of your bottom rails (Note: DO NOT install top rails until all of your bottom rails are finished).





Step 6

- Insert spindles into the bottom rail, then install all top rails using same method as bottom rails.



Step 7

- Securely fasten the caps to the posts (use an adhesive if needed).
- Test the fence's integrity and the screws' security by lightly shaking the fence to make sure no parts are loose.

5 Year Warranty on Pool Fence.

Web Direct Brands pool fence is warranted to be free of defects in material and workmanship.

This warranty extends only to: (1) the original retail purchaser of a pool fence directly from Web Direct Brands; (2) the authorized wholesale purchaser of a pool fence directly from Web Direct Brands; or (3) the original retail purchaser of a pool fence from Web Direct Brands authorized wholesaler. However, in the event of a sale, transfer or conveyance of a pool fence from any of the three preceding persons or entities, any rights, duties and obligations associated with this warranty shall be null and void and of no further force and effect. Freight charges to and from the customer are the responsibility of the customer. This includes freight charges for parts shipped to enable the services of the pool fence.

This warranty is void if the pool fence has been altered, misused, or abused. Such instances shall include installation or use of the pool fence in deviation to the published instructions. The warranty extends only to the manufacturing defects and does not cover the damages resulting from mishandling of the product by the owner, contact with pets or other animals, or damage from natural forces. All damage to pool fence must be repaired immediately. This warranty only applies to the pool fence parts documented in this manual - it does not apply to the pool or anything that the fence attaches to.

Web Direct Brands, Inc shall not be liable for the loss of use of the pool fence or other incidental or consequential damages. Under no circumstances shall Web Direct Brands, Inc. or any of its representatives be held liable for injury to any persons or damages to any properties. Specifications are subject to change without notice.