

High Performance Commercial Blender Owner's Manual

Read And Save These Instructions



Model: BL-020B

AC 110V 60Hz 1500W

Important Safeguards

1. Read all instructions.
2. To protect against risk of electrical shock, do not put motor base in water or other liquid.
3. Under adult supervision is necessary when appliance is used by or near children.
4. Unplug the power cord from the wall outlet when the machine is not in use, before putting on or taking off parts, and before cleaning other than washing the container.
5. Never contact moving parts.
6. Do not operate any appliance with a damaged cord or plug or after the appliance malfunctions or is dropped or damaged in any manner. Call service at once for possible replacement, examination, repair, electrical or mechanical adjustment.
7. Do not use outdoors.
8. Do not let the power cord hang over edge of table or counter, or touch hot surfaces.
9. Keep hands and utensils out of the container while motor is running to prevent the possibility of severe personal injury and/or damage to the blender. A rubber scraper may be used, but only when the blender is not running.
10. CAUTION: Blade is sharp. Handle carefully.
 - Never try to remove blade while container is sitting on the motor base.
 - Do not operate with loose, knicked or damaged blades.
 - To reduce the risk of personal injury, never place blade assembly on motor base without blender container properly attached.
11. Always operate with the lid in place.
12. Display window area will scratch when contacted with a scouring pad or sharp object. Use a soft cloth to wipe the control panel area clean.

Feature

BL-020 series blender is developed base on years of experience technology. Strong power motor with Stainless steel blades for completely blending foods.

- Industrial high-speed motor ,highest speed reach to 37000rpm, high efficiency, powerful, 2000 hour warranty. Fan cooler and Motor heat protect system.
- Electronic system to control speed, steady current, protect the motor, reduce the interfere to the environment.
- Overcurrent protection system.
- SET switch, variable speed switch, pulse switch to satisfied different request.
- Durable Stainless steel driven connector.
- Blades group is geared by ball bearing, never be burned in long time running.
- Special durable material waterproof adhesive
- Germany Bayer PC material container.

Operation Instruction

Fruit Ice

1. Material: Ice, Fruits, Water. They are all necessary.
2. Put the material into the container, cover the lid, when make thick drink, please plug the blending stick.
3. Set the variable button to a high speed(or the highest speed.)
4. Turn on SET Switch, if water is limited, please use the stick.
5. 3-5 seconds later, when the blending sound suddenly diminish, which means the material has been enough mashed, Stop the machine at once, to prevent the ice get into water with too much blending.
6. When mix the fruit, water and ice, the fruit juice will wrap the ice grain. It is the best Fruit Smoothie. Otherwise, only Ice and water, they won't get the Smoothie effect. So Ice, Fruit, Water are all necessary.

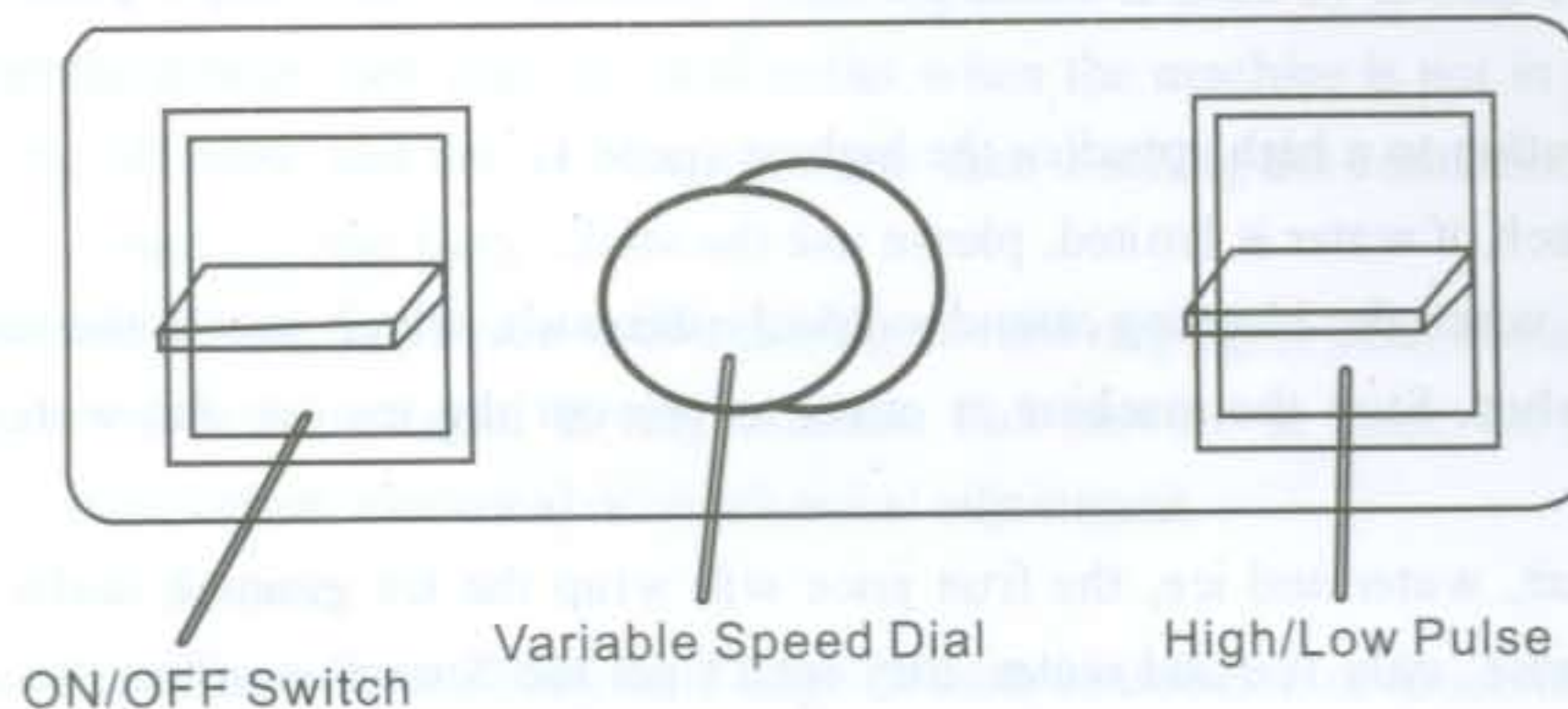
Blending Fruit & Vegetable

1. Put fruit or vegetable and little water into the container.
2. Set medium speed or high speed.
3. Turn On SET switch, after 4-6 seconds blending, when the material roll smoothly , which means the material has been enough mashed, Stop the machine at once, to prevent over blending.

Note:

1. Inching switch is mainly for testing or blending special materials, do not use it frequently.
2. Do not run more than 2 minutes when blending dry materials.

Control Panel



Mechanical Control Panel

ON/OFF Switch

Up for ON; Down for OFF.

HIGH/LOW Pulse Switch

Up for High speed at 29000rpm; Down for Low speed at 16000rpm.

Pulse button can only be used when the power switch is ON, The PULSE switch can be used to quickly refresh product in the container by depressing the switch and holding down as long as needed.

VARIABLE SPEED Dial

Allow user to select continuously variable motor speeds ranging from 16000rpm to 29000rpm.

PULSE switch overrides the variable speed dial.

Remark:

1. On all units the built-in thermal sensor keeps track of how hot the motor gets and will automatically shut down the motor if the motor is overheating. User should remove the container and run the machine until cool. This takes about 2 minutes.

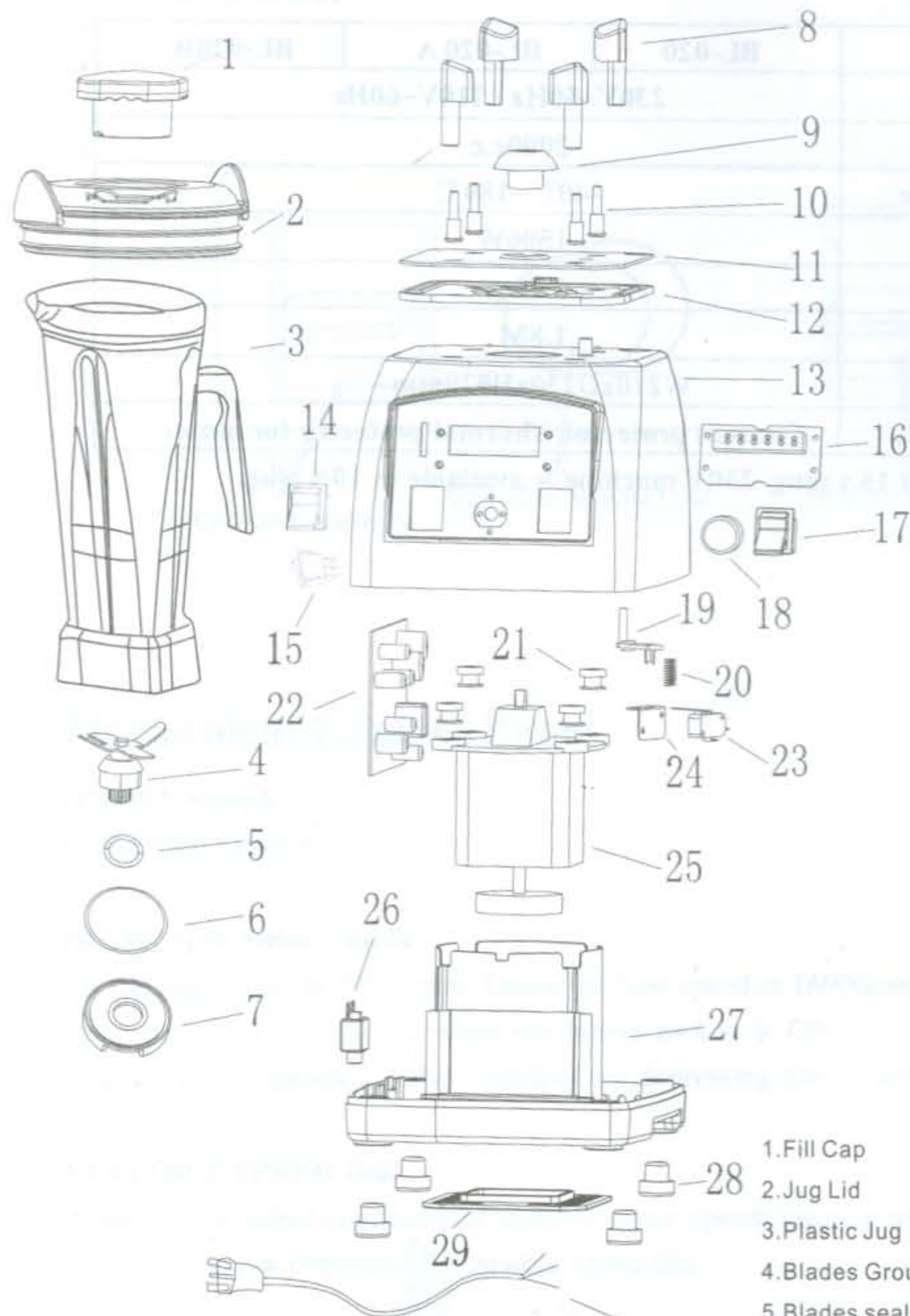
2. Special Note:

Please check your operation when the motor is overheated. If the machine runs all the day or the material is too thick, it will be easy to get overheated.

Specification

Model	BL-020
Voltage	110V~60Hz
Capacity	2000c.c
Endurance of Container	-40°C~180°C
Power	1500W
Weight	5.5kgs
Length of Cord	1.8M
Dimension	W210xD230xH520mm
Protector	Current protector, Thermal protector for motor

*110V machine is available in 15A plug.



- | | |
|----------------------------|------------------------------|
| 1.Fill Cap | 16.LCD Screen |
| 2.Jug Lid | 17.Pulse Switch |
| 3.Plastic Jug | 18.Speed Knob |
| 4.Blades Group | 19.Safety Switch Transmitter |
| 5.Blades sealing | 20.Spring |
| 6.Jug Sealing | 21.Shock Proof Ring |
| 7.Nut-S/S | 22.Circuit Board |
| 8.Positioning Pin-Aluminum | 23.Safety Switch |
| 9.Clutch | 24.Safety Switch Fitting |
| 10.Motor Postioning Screw | 25.Motor |
| 11.Pad-S/S | 26.Fuse |
| 12.Rubber Pad | 27.Foundation |
| 13.Top Cover-ABS | 28.Anti-Slip Rubber Feet |
| 14.On/Off Switch | 29.Air Outlet Panel |
| 15.Power Switch | 30.Power Caple & Plug |